



# VRX932LA 12" Two-Way Constant Curvature Line Array

## Key Features:

- ▶ JBL's exclusive neodymium magnet Differential Drive® woofer for high-power capacity and light-weight.
- ▶ Three neodymium, Annular Ring Diaphragm drivers for high power capacity and high-frequency extension.
- ▶ Constant Curvature waveguide for unprecedented array coherence.
- ▶ Dual angle pole socket for aiming flexibility. One or two speakers may be mounted to a 35 mm pole or tripod stand.
- ▶ Integral rigging hardware for simple connection of enclosures and optional array frame. Arrays of up to six enclosures may be flown.
- ▶ Array Configuration Selector permits "array shading" in passive mode.

## Application:

- ▶ Music playback and sound reinforcement in mid-size venues.
- ▶ Entertainers, corporate A/V professional and sound system hire companies.

## VRX932LA 12" Two-Way Line Array Speaker

The VRX932LA is a light-weight (48 lb / 22 kg) compact 12" two-way line array speaker system designed for use in arrays of up to six units. VRX932LA is the ideal choice when line array performance is needed but the venue size doesn't call for the very long-throw characteristics of larger line arrays such as JBL's VerTec®.

The Constant Curvature waveguide mounts three compression drivers on a continuous arc. When additional VRX932LA speakers are added to the array the uninterrupted arc continues. In effect, all the drivers work together as if they were a single driver on a very long waveguide. Since there are three drivers in each VRX932LA, the combined power handling and acoustic output of the system is far greater than a single driver could achieve.

VRX932LA uses "amplitude shading" to shape the coverage of the array. Switches on the input plate allow, for example, the upper box in an array to reach a distant balcony while the lower HF section is shaded back to reduce excessive level at the front of the listening area.

One or two VRX932LAs may also be used on a tripod or over subwoofers. The integral rigging hardware is used to securely lock the array together while the dual-angle pole socket provides aiming flexibility.

As many as six VRX932LA speaker



systems may be suspended in a single array for a nominal vertical coverage of up to 90°. Suspended applications require the JBL VRX932LA-AF array frame (available separately). For applications in which the array must be aimed sharply down, a second array frame may be installed to the bottom of the array serving as a pull-back.

The VRX932LA was designed with SRX700 series compatibility in mind. SRX718S subwoofers are the ideal choice for a ground-stacked or flown VRX932LA system.

The VRX932LA is manufactured and sold under U.S. patents 5,748,760; 6,112,847; 6,394,223 and 6,847,726.

## Specifications:

Frequency Range (-10 dB):	57 Hz - 20 kHz
Frequency Response (±3 dB):	75 Hz - 20 kHz
Coverage Pattern:	100° x 15° nominal
Crossover Modes:	Bi-amp / passive, externally switchable
Crossover Frequency:	1.2 kHz
Power Rating (Continuous/Program Peak):	Passive: 800 W / 1600 W / 3200 W Bi-amp LF: 800 W / 1600 W / 3200 W Bi-amp HF: 75 W / 150 W / 300 W
System Maximum SPL:	130 dB SPL peak (passive mode) LF: 130 dB HF: 139 dB
System Sensitivity (1w @ 1m):	95 dB SPL (passive mode) LF: 95 dB HF: 114 dB <sup>1</sup>
LF Driver:	1 x JBL 2262H 305 mm (12 in) Differential Drive® woofer with neodymium-magnet, dual voice-coils and magnetic gap.
HF Driver:	3 x JBL 2407J, 25.4 mm (1.0 in) voice-coil, neodymium compression driver
Nominal Impedance:	Passive: 8 ohm Bi-amp LF: 8 ohms Bi-amp HF: 8 ohms
Active Tunings:	Tunings available at <a href="http://www.jblpro.com">www.jblpro.com</a>
Enclosure:	18 mm, 11-ply birch plywood.
Suspension / Mounting:	Optional VRX932LA-AF line array frame kit
Finish:	Black DuraFlex™ finish
Grille:	Powder coated, black, 16-gauge perforated steel with acoustically transparent foam
Input Connectors:	Neutrik® Speakon® NL-4 (x2)
Dimensions (H x W x D):	349 mm x 597 mm x 381 mm (13.75 in x 23.5 in x 15.0 in)
Net Weight:	21.8 kg (48 lb)
Optional Accessories:	VRX932LA-AF: Suspension array frame SS2-BK: Tripod speaker stand SS3-BK: Satellite speaker pole SS4-BK: Adjustable satellite speaker pole to be used with the SRX718S only.

<sup>1</sup> "Frequency Range" and "Frequency Response" are based on half-space conditions

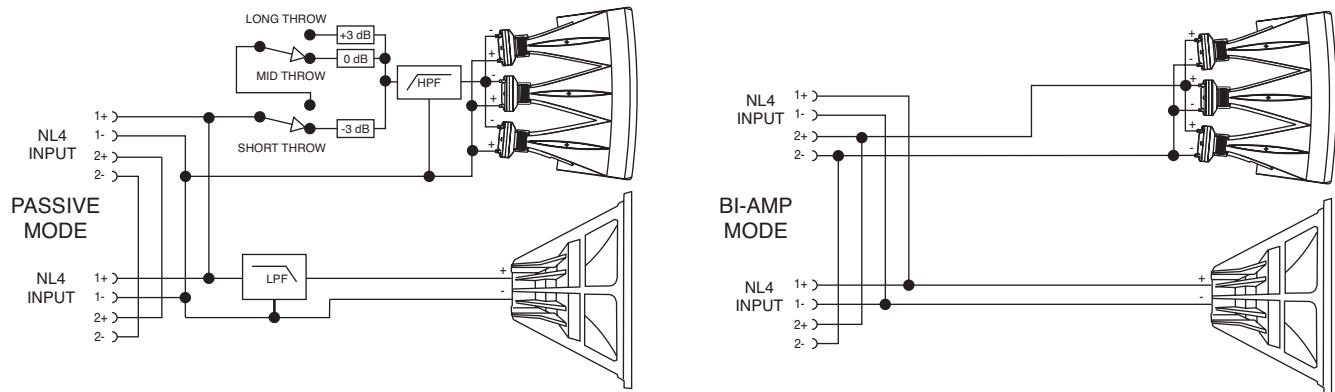
<sup>2</sup> IEC filtered noise with 6 dB crest factor, 2 hrs.

<sup>3</sup> HF driver sensitivity is based on a measurements averaged between 1.5 kHz - 16 kHz

JBL continually engages in research related to product improvement. Changes introduced into existing products without notice are an expression of that philosophy.

# ► VRX932LA 12" Two-Way Constant Curvature Line Array

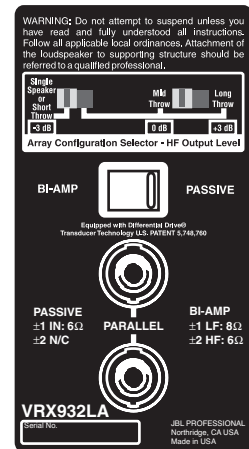
## Block Diagram



## Array Configuration Selector (ACS)

Amplitude shading is a technique that allows the coverage pattern of a loudspeaker array to be shaped by adjusting the relative acoustic output of some of the devices in the array. Most often, array shading involves only the mid and high-frequency sections of the array. In a simple system consisting of three VRX932LAs, the lower speaker (which covers the nearest listeners) may have its high-frequency output reduced. At the same time, the upper speaker may have its high frequency output increased. The overall sound-power in the room is unchanged but the distribution of acoustic energy to the audience is far more uniform. Amplitude shading of a VRX932LA array may be accomplished in passive or bi-amplified systems.

In passive mode, the Array Configuration Selector may be used. The -3 dB position will typically be used for the speaker(s) in an array that are covering the nearest listening area. The +3 dB position will be used for the speaker(s) covering the more distant areas, or to compensate for the low-frequency build-up resulting from mutual coupling of multiple woofers in an array.



## VRX932LA-AF Array Frame Accessory

The VRX932LA-AF is an array frame kit designed to be used for suspension of the VRX932LA line array loudspeaker. The optional array frame kit includes an array frame, four quick release pins, a pair of forged 3/8" shackles, and a pair of drop levers.

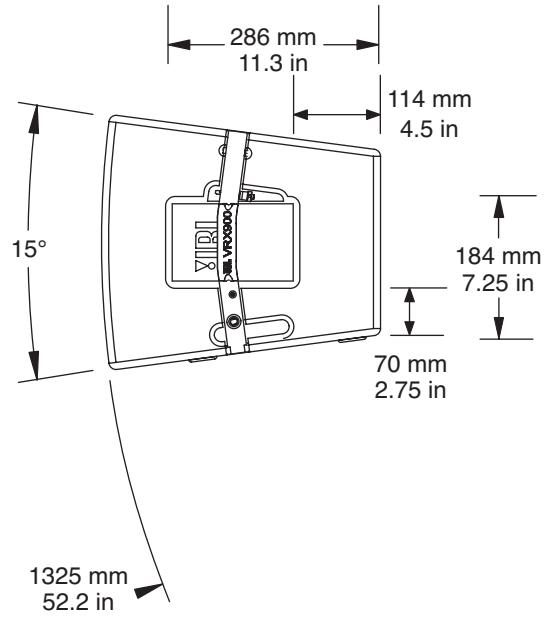
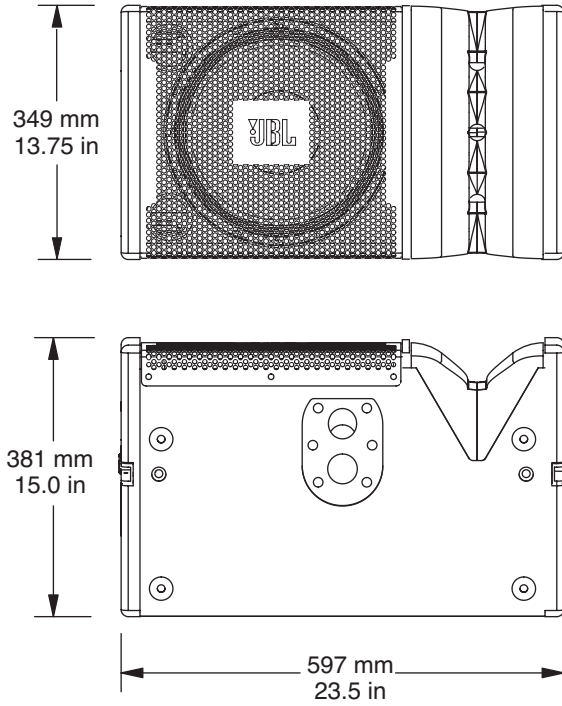
The VRX932LA-AF is designed for suspension of no more than six (6) VRX932LA speakers. The WLL (Working Load Limit) for the VRX932LA-AF array frame is 136 kg (300 lb) at a 10:1 Design Factor.

For some applications, it may be necessary to pull back the array from the bottom in order to achieve the desired coverage. Every VRX932LA-AF is supplied with a spare set of quick release pins and a pair of spare drop levers that are used to adapt a second array frame to the bottom of a VRX932LA array. Once these are installed on the bottom enclosure, the array frame may be attached as previously described.

Ground-stacked, upward aimed array: Applications such as covering stadium bleachers from the playing field may be addressed by installing the VRX932LA-AF array frame to the bottom of the array as described above. Up to four VRX932LA loudspeakers may be locked together and ground stacked using the VRX932LA-AF array frame kit, as shown.



## Dimensions



## System Configurations



With SS3-BK



With two SRX718S and SS4-BK



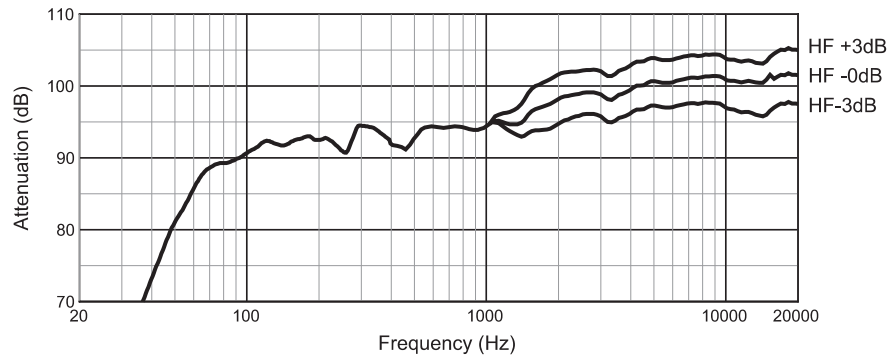
Ground-stacked with VRX932LA-AF



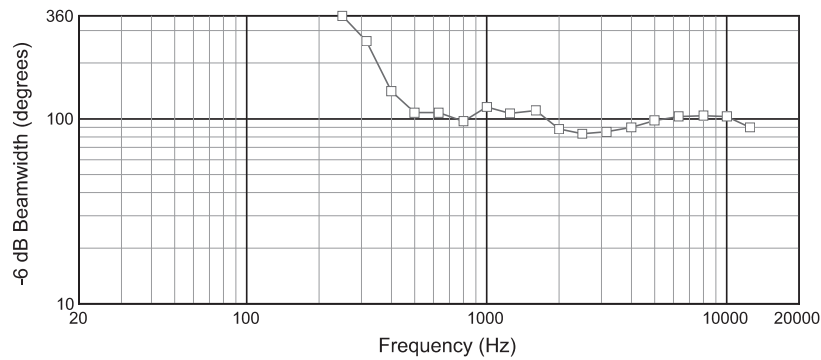
Suspended with VRX932LA-AF

# ► VRX932LA 12" Two-Way Constant Curvature Line Array

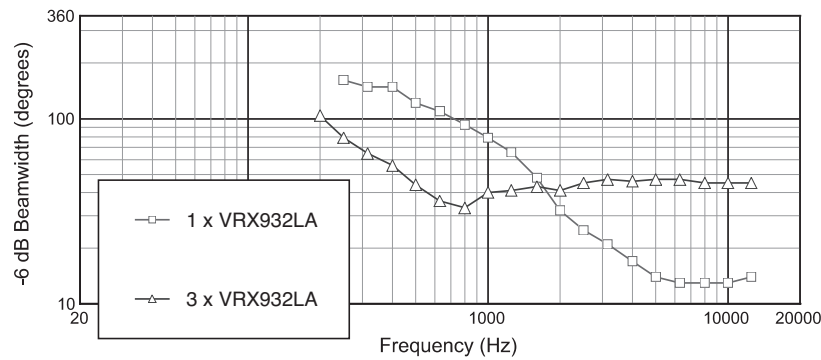
## Frequency Response



## Horizontal Beamwidth



## Vertical Beamwidth



JBL Professional  
 8500 Balboa Boulevard, P.O. Box 2200  
 Northridge, California 91329 U.S.A.  
 A Harman International Company  
 © Copyright 2005 JBL Professional

SS VRX932LA  
 CRP 5M  
 01/05